

Pressure Reducing

PRV-17W

Direct Acting Reducing Valve

SF International reserves the right to change the designs and/or materials of its products without notice, ©2013 SF International



PRV-17W is a direct acting pressure reducing valve for small water pressure reducing applications. Its compact design makes it ideal for point of use installations, providing accurate pressure control under stable load conditions. It also offers a cost effective alternative to more sophisticated valves. It can be supplied with screwed connections BSPT (BS 21) or NPT (ANSI-B1.20.1). Flanges according to ANSI-B16.5 class. Contact factory for other connection options.

FEATURES

Model	PRV-17W
Sizes	1/2", 3/4", 1"
Connections	Screwed, Flanged
Fluid	Water
Body Material	GGG 40.3 Ductile Iron
PMO Max. Oper. Pressure	250 psig
TMO Max. Oper. Temperature	450°F

HOW TO ORDER

Specify:

- Model
- Sizes and type of connection

Example: 1 SF International Direct Acting Reducing Valve model PRV17W with 1" body and BSPT connections fitted with type B spring.

DIMENSIONS & WEIGHT (INCHES & POUNDS)

DN	A	B	C	D	KV	Weight
1/2"	0.66	0.33	0.18	0.12	1.50	4.90
3/4"	0.66	0.33	0.18	0.12	2.5	4.18
1"	0.66	0.37	0.18	0.15	3.5	13.20

CAPACITY TABLE FOR WATER (lb/h)

Pressure (psig)		Sizes		
Inlet	Outlet	1/2"	3/4"	1"
24	3	4	7	10
24	21	6	10	13
57	6	7	12	16
57	43	11	19	25
85	9	10	18	22
85	71	15	28	35
114	11	11	20	26
114	85	19	33	42
142	14	13	22	29
142	114	22	38	48
171	17	14	26	32
171	122	24	44	54
213	21	16	29	35
213	122	29	51	63
242	24	17	30	38
242	122	31	54	68

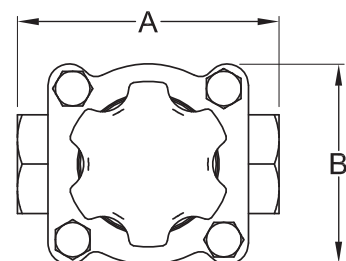
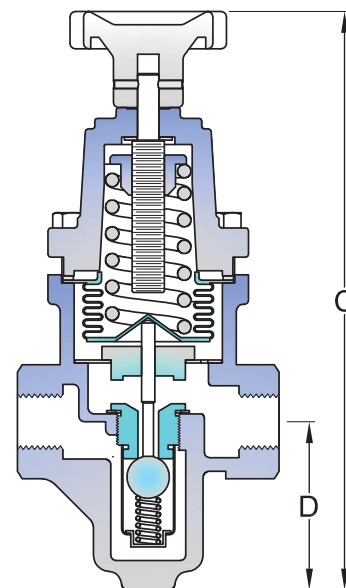


DOWNSTREAM PRESSURE RANGES

Type A (Grey): 2 to 24 psig

Type B (Green): 20 to 57 psig

Type C (Orange): 50 to 122 psig



REGULATING



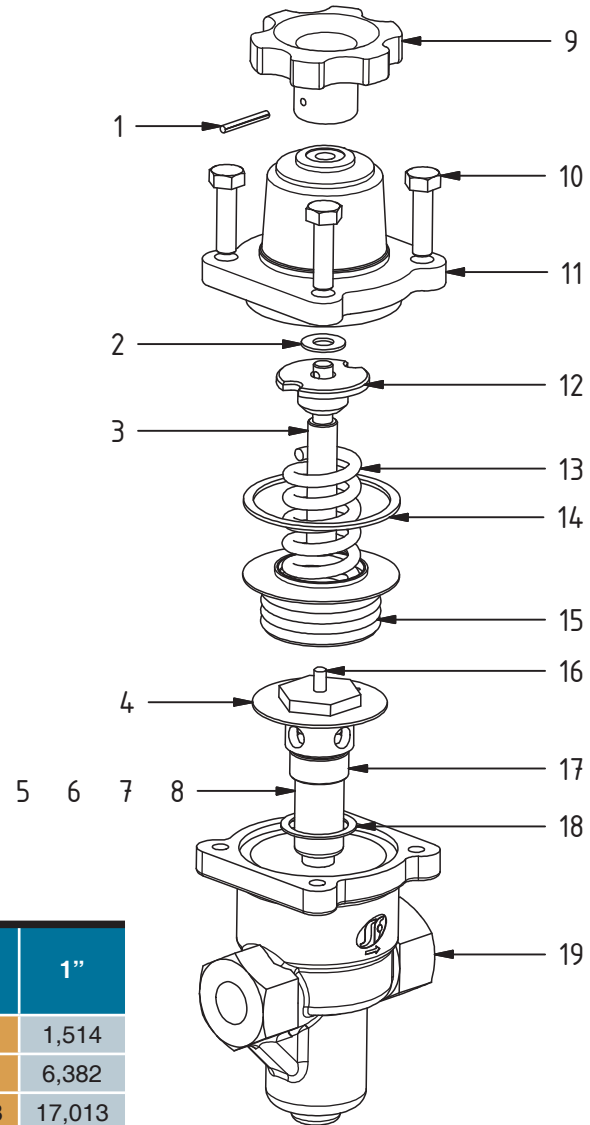
Pressure Reducing

PRV-17W

Direct Acting Reducing Valve

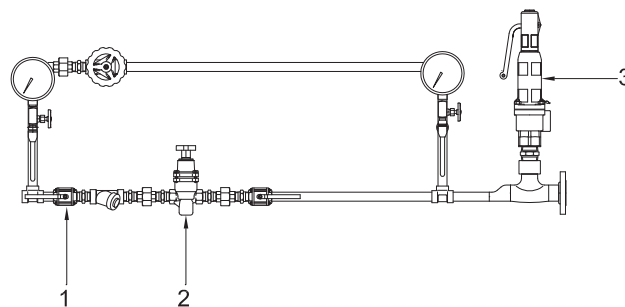
REPAIRS AND MATERIALS

Pos.	Description	Material
1	Stud	AISI 304 SS
2	Spring Plate	AISI 304 SS
3	Cursor	AISI 304 SS
4	Washer	AISI 304 SS
5	Valve	AISI 304 SS
6	Spring	AISI 304 SS
7	Strainer Screen	AISI 304 SS
8	Spring Seat	Polipropileno
9	Handle	Aço Carbono 8,8
10	Screws	GGG 40.3 Ductile Iron
11	Cover	GGG 40.3 Ductile Iron
12	Spring Hose	SAE 1070 CS
13	Spring Adjustment	AISI 304 SS
14	Body Gasket	AISI 304 SS
15	Bellows	AISI 304 SS
16	Pushrod	AISI 304 SS
17	Seat	AISI 420 SS
18	Seat Gasket	Copper
19	Body	GGG 40.3 Nodular Iron



HOW TO ORDER SPARE PARTS (CODE)

Model	Description	Pos.	1/2"	3/4"	1"
PRV 17	Bellows Assy	15	1,514	1,514	1,514
	Seat Assy	5, 6, 7, 8, 16, 17, 18	6,380	6,381	6,382
	Spring A	13	17,013	17,013	17,013
	Spring B	13	17,014	17,014	17,014
	Spring C	13	17,015	17,015	17,015
	Handle	9	10,161	10,161	10,161



Title:	
1	PRV
2	Safety Valve

INSTALLATION INSTRUCTIONS

This valve should be installed in a horizontal pipeline with the direction of flow as indicated by the arrow on the valve body.

SAFETY, INSTALLATION AND MAINTENANCE

For safety, installation and maintenance information see instructions supplied with the product (MI-0728-11).