

Steam Traps

DT-250

Thermodynamic Steam Trap

SF International reserves the right to change the designs and/or materials of its products without notice, ©2013 SF International



DT-250 is a high pressure thermodynamic steam trap with integral strainer specifically designed for drainage applications. It is designed for general drainage applications of saturated and superheated steam mains. It is resistant to water hammer and vibration. Instantly it responds and works with a high level of performance to all pressure ranges. It can be supplied with screwed connections BSPT (BS 21) or NPT (ANSI-B1.20.1), Socket Weld end (SW) ANSI B 16.11 or Butt Weld end (BW) ANSI B16.9 - SCH. 160. Flanges according to ANSI-B16.5 class. Contact factory for other connection options.



FEATURES

Product Family	DT-250
Sizes	1/2", 3/4" and 1"
Connections	Screwed, SW, BW, Flanged
Body Material	ASTM A182 Gr. F22 SS
PMO Max. Oper. Pressure	3586 psig
TMO Max. Oper. Temperature	997 °F
Min. Inlet Pressure	3.56 psig
Maximum Backpressure	80% of Operating Pressure

HOW TO ORDER

Specify:

- Model
- Sizes and type of connection
- Optional, if necessary

Example: 1 SF International Thermodynamic Steam Trap model DT-250 with 1/2" body and SW connections.

DIMENSIONS & WEIGHT (INCHES & POUNDS)

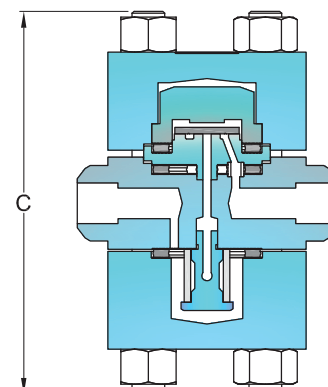
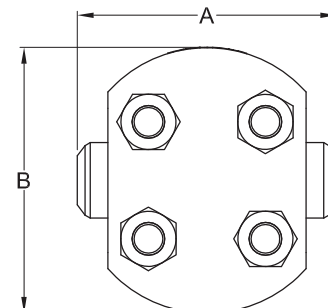
DN	A	B	C	Weight
1/2"	5.00	5.12	7.40	26.46
3/4"	5.00	5.12	7.40	26.46
1"	5.00	5.12	7.40	26.46

CAPACITY

Model	Sizes	DIFFERENTIAL PRESSURE - ΔP (psig) x Q (lb/h)														
		114	128	142	284	427	569	711	853	996	1,138	1,280	1,422	2,845	3,556	
DT-250	ALL	143	165	176	243	287	309	331	353	375	397	419	441	573	617	

AVAILABLE MODELS

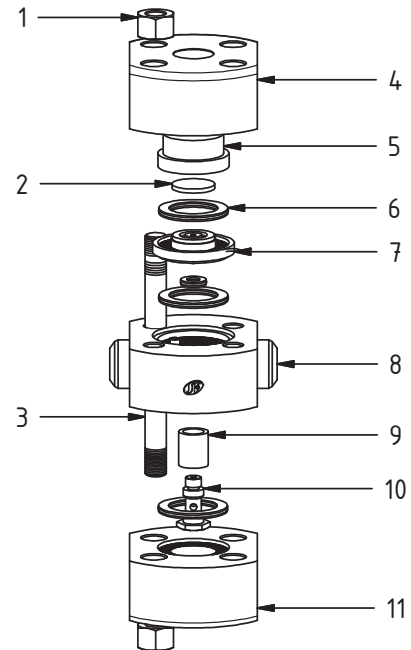
DT-250: Superheated Steam



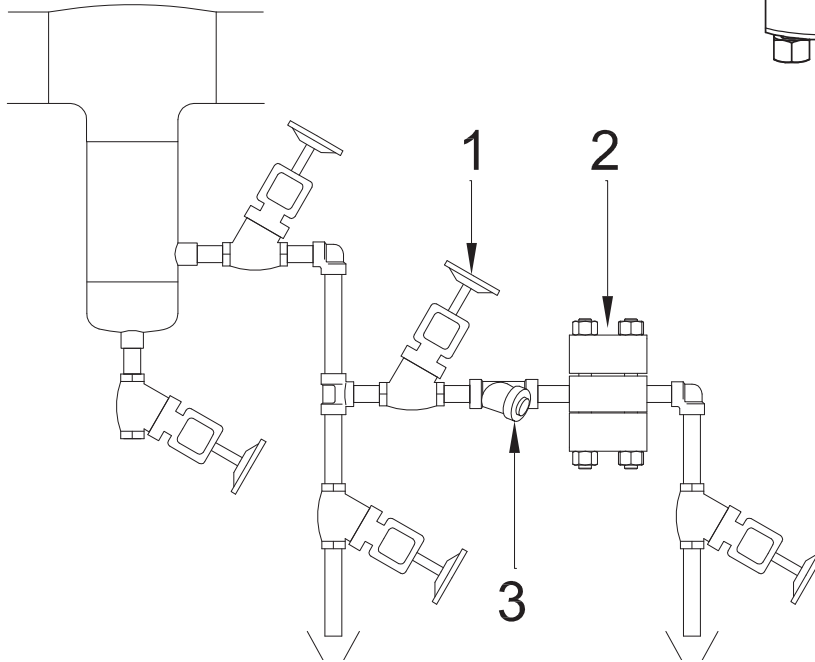


COMPONENTS AND MATERIALS

Pos.	Description	Material
1	Top Cover Nut	ASTM A182 Gr. F22
2	Disc	SAE 4659 Gr. BD2 VD-2
3	Stud	ASTM A193 Gr. B16
4	Top Cover	SAE 4659 Gr. BD2 VD-2
5	Seat	SAE 4659 Gr. BD2 VD-2
6	Stem Guide	AISI 304 SS
7	Gasket	Steel / Graphite
8	Cover	AISI 420 SS
9	Synthesized Screen	AISI 304 SS
10	Strainer Screen Assy	AISI 304 SS
11	Body	ASTM A182 Gr. F22



TYPICAL INSTALLATION



Title:	
1	Stop Valve
2	Steam Trap
3	Y Strainer

INSTALLATION INSTRUCTIONS

This Steam Trap should be installed in a horizontal pipeline with the direction of flow as indicated by the arrow on the trap body.

PRODUCT DISPOSAL

This product is totally recyclable. No ecological hazard is anticipated with the disposal of this product.

SAFETY, INSTALLATION AND MAINTENANCE

For safety, installation and maintenance information see instructions supplied with the product (MI-0101-40).