

Pressure Reducing

3130 ET

Pilot Operated Temperature Regulator

SF International reserves the right to change the designs and/or materials of its products without notice, ©2013 SF International



3130-ET is a pilot operated valve suitable for steam or compressed air, and it is used for temperature control applications. It also incorporates a solenoid pilot for remote manual or automatic electrical signal which may originate at safety switches, timers, etc. It can be supplied with screwed connections BSPT (BS 21) or NPT (ANSI-B1.20.1). Flanges according to ANSI-B16.5 class. Contact factory for other connection options.



FEATURES

Model	3130 ET	
Sizes	1/2" - 2"	2 1/2" - 4"
Connections	Screwed	Flanged
Application	Steam, Water, Gases	
Body Material	GGG 40.3 Ductile Iron 216 WCB Carbon Steel	
Option	Reduced Port Trim	
PMO Max. Oper. Pressure	Ductile Iron	250 psig
TMO Max. Oper. Temperature	Ductile Iron	450°F
PMO Max. Oper. Pressure	Carbon Steel	293 psig
TMO Max. Oper. Temperature	Carbon Steel	600°F

TECHNICAL DATA OF SOLENOID

Voltages available:	110/120 Vac or 220/240 Vac
Frequency:	50/60 Hz
Power Consumption:	45 VA
Types:	Normally Closed
	Normally Open

HOW TO ORDER

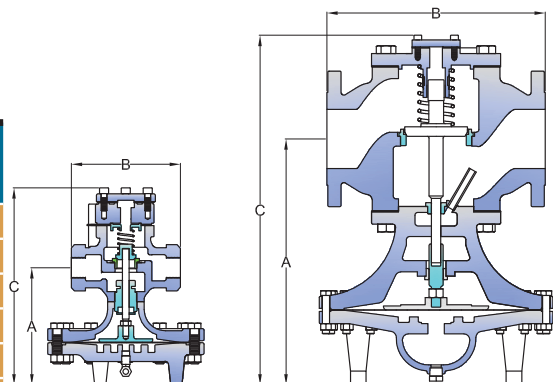
Specify:

- Model
- Sizes and type of connection

Example: 1 SF International 3130 ET Valve with 1 1/2" body and BSPT connection fitted with 110V Solenoid.

DIMENSIONS & WEIGHT (INCHES & POUNDS)

DN	A	B Screw	ANSI B16.1		ANSI B16.5		C	Weight
			125#	250#	150#	300#		
1/2"	6.30	5.51	-	-	-	-	19.49	26.01
3/4"	6.30	5.51	-	-	-	-	19.49	26.01
1"	7.28	5.94	-	-	-	-	19.69	34.17
1 1/4"	7.8	7.28	-	-	-	-	20.47	38.58
1 1/2"	7.28	7.28	-	-	-	-	20.47	38.58
2"	8.07	8.50	-	-	-	-	22.83	62.83
2 1/2"	14.25	-	10.79	11.10	10.79	11.10	28.74	149.91
3"	14.65	-	11.22	11.22	11.22	11.22	28.74	181.88
4"	16.34	-	14.53	14.53	14.57	14.57	31.89	252.43





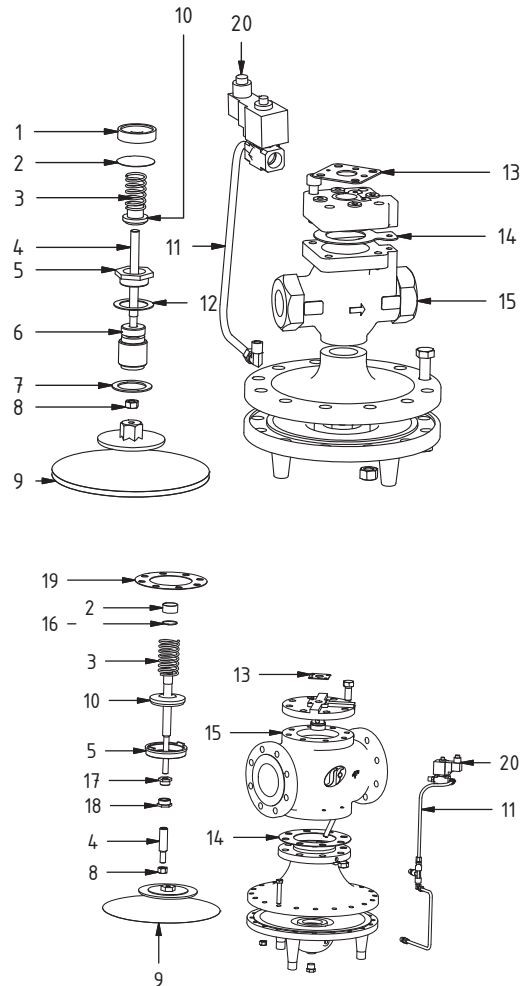
Pressure Reducing

3130 ET

Pilot Operated Temperature Regulator

COMPONENTS AND MATERIALS

Pos.	Description	Material
1	Main Valve Spring Guide	AISI 420 SS
2	Screen	AISI 304 SS
3	Main Valve Return Guide	Spring Steel
4	Valve Stem	AISI 304 SS
5	Valve Seat	AISI 420 SS
6	Coupling	AISI 420 SS
7	Coupling Seat	AISI 420 SS
8	Stem Lock-nut	AISI 304 SS
9	Diaphragm	AISI 301 SS
10	Seat Head	AISI 420 SS
11	Sensing Pipe	AISI 420 SS
12	Seat Gasket	Non Asbestos
13	Cover Gasket	Non Asbestos
14	Body Gasket	Non Asbestos
15	Body	GGG 40.3 Ductile Iron 216 WCB CS
16	Screen Ring	AISI 420 SS
17	Stem Guide	AISI 304 SS
18	Lower Stem Guide	AISI 420 SS
19	Gasket	Non Asbestos
20	Solenoid Valve	



HOW TO ORDER REPAIRS (CODE)

Model	Description	Pos.	1/2"	3/4"	1"	1 1/4"	1 1/2"	2"	2 1/2"	3"	4"
3130 ET	Steam Assy	4	6,428	6,428	6,430	6,432	6,432	6,433	12,563	11,970	11,122
	Diaphragm Assy	9	15,181	15,181	14,315	14,315	14,315	15,182	8,773	8,773	15,180
	Seat Gasket	12	6,434	6,434	6,436	6,438	6,438	6,439	11,031	12,574	11,038
	Return Spring Assy	3	6,434	6,454	6,454	6,456	6,456	6,457	11,345	11,345	11,115
	Sensing Pipe Assy	11	6,458	6,458	6,460	6,462	6,462	6,463	11,366	12,611	9,698
	Seat Assy	6	6,422	6,423	6,424	6,425	6,426	6,427	12,432	11,874	11,123
	220V Solenoid Valve	-	6,484	6,484	6,484	6,484	6,484	6,484	6,484	6,484	6,484

REGULATING

INSTALLATION INSTRUCTIONS

This valve should be installed in a horizontal pipeline with the direction of flow as indicated by the arrow on the valve body.

SAFETY, INSTALLATION AND MAINTENANCE

For safety, installation and maintenance information see instructions supplied with the product (MI-0810-15).