

# Pressure Reducing

# 3110 MPE

## Pilot Operated Regulating Valve

SF International reserves the right to change the designs and/or materials of its products without notice, ©2013 SF International



3110-MPE is a pilot operated pressure reducing valve assembled with an electric pilot. It is suitable for applications where the PRV must also respond to an electrical program timer, safety or limit switch, or remote manual switch. It can be supplied with screwed connections BSPT (BS 21) or NPT (ANSI-B1.20.1). Flanges according to ANSI-B16.5 and ANSI-B16.1 class. Contact factory for other connection options.



### FEATURES

Model	<b>3110 MPE</b>	
Sizes	<b>1/2" - 2"</b>	<b>2 1/2" - 4"</b>
Connections	<b>Screwed</b>	<b>Flanged</b>
Application	<b>Steam, Water, Gases</b>	
Body Material	<b>GGG 40.3 Ductile Iron 216 WCB Carbon Steel</b>	
Option	<b>Reduced Port Trim</b>	
PMO Max. Oper. Pressure	<b>Ductile Iron</b>	<b>250 psig</b>
TMO Max. Oper. Temperature	<b>Ductile Iron</b>	<b>450°F</b>
PMO Max. Oper. Pressure	<b>Carbon Steel</b>	<b>293 psig</b>
TMO Max. Oper. Temperature	<b>Carbon Steel</b>	<b>600°F</b>

### DOWNSTREAM PRESSURE RANGES

Type A (Yellow): 3 to 28 psig

Type B (Blue): 14 to 100 psig

Type C (Gray): 77 to 200 psig

### HOW TO ORDER

Specify:

- Model
- Sizes and type of connection

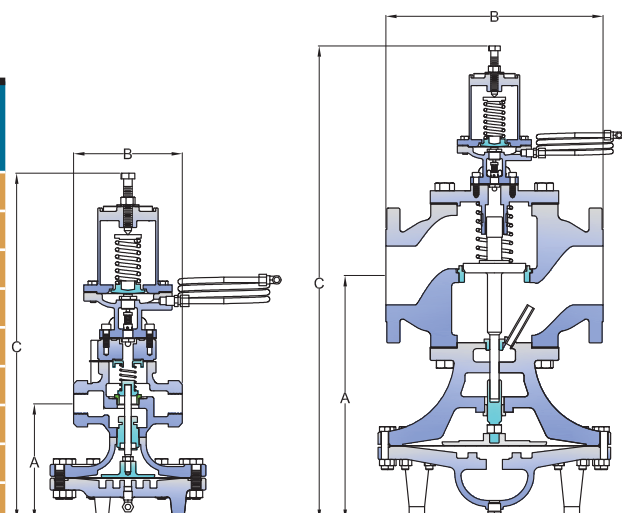
**Example:** 1 SF International 3110 MPE Valve with 1 1/2" body and BSPT connections and Type B pilot.

### TECHNICAL DATA OF SOLENOID

Voltages available:	<b>110/120 Vac or 220/240 Vac</b>
Frequency:	<b>50/60 Hz</b>
Power Consumption:	<b>45 VA</b>
Types:	<b>Normally Closed</b>
	<b>Normally Open</b>

### DIMENSIONS & WEIGHT (INCHES & POUNDS)

DN	A	B Screw	ANSI B16.1		ANSI B16.5		C	Weight
			125#	250#	150#	300#		
1/2"	6.30	5.51	-	-	-	-	19.49	33.73
3/4"	6.30	5.51	-	-	-	-	19.49	33.73
1"	7.28	5.94	-	-	-	-	19.69	41.89
1 1/4"	7.28	7.28	-	-	-	-	20.47	46.30
1 1/2"	7.28	7.28	-	-	-	-	20.47	46.30
2"	8.07	8.50	-	-	-	-	22.83	70.55
2 1/2"	14.25	-	10.79	11.10	10.79	11.10	28.74	157.63
3"	14.65	-	11.22	11.22	11.22	11.22	28.74	189.60
4"	16.34	-	14.53	14.53	14.57	14.57	31.89	260.15



REGULATING



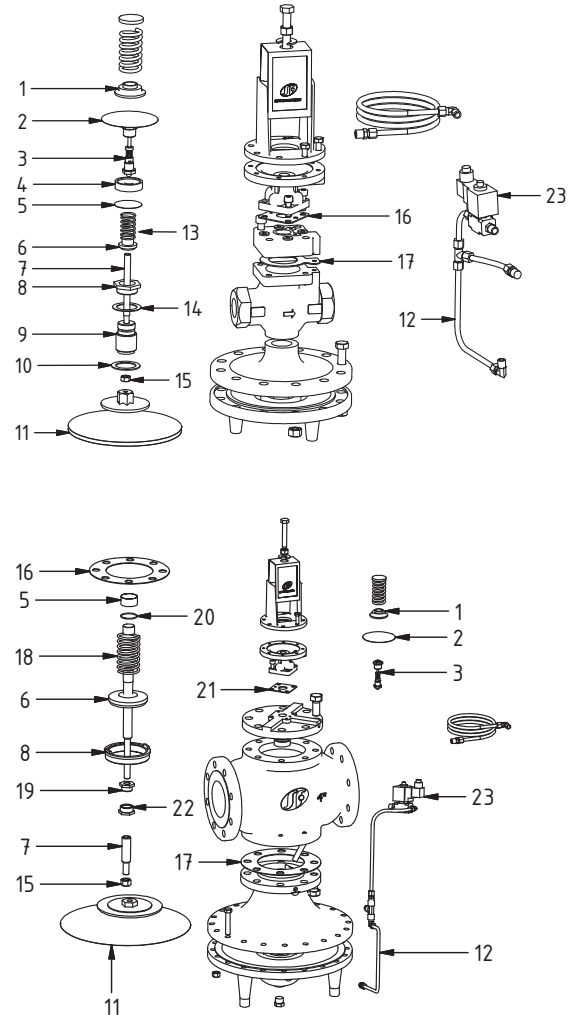
# Pressure Reducing

# 3110 MPE

## Pilot Operated Regulating Valve

### REPAIRS AND MATERIALS

Pos.	Description	Material
1	Pilot Adjustment Spring Guide	AISI 420 SS
2	Pilot Diaphragm	AISI 301 SS
3	Pilot Seat	AISI 420 SS
4	Main Valve Spring Guide	AISI 420 SS
5	Screen	AISI 420 SS
6	Seat Head	AISI 420 SS
7	Stem	AISI 304 SS
8	Seat	AISI 420 SS
9	Coupling	AISI 420 SS
10	Coupling Gasket	Non Asbestos
11	Diaphragm	AISI 301 SS
12	Sensing Pipe	AISI 420 SS
13	Main Valve Spring	Spring Steel
14	Seat Gasket	Non Asbestos
15	Stem Lock-nut	AISI 304 SS
16	Cover Gasket	Non Asbestos
17	Body Gasket	Non Asbestos
18	Pilot Adjustment Spring	AISI 420 SS
19	Stem Guide	AISI 304 SS
20	Screen Ring	AISI 420 SS
21	Pilot Gasket	Non Asbestos
22	Lower Stem Guide	AISI 420 SS
23	Solenoid Valve	



### HOW TO ORDER SPARE PARTS (CODE)

Model	Description	Pos.	1/2"	3/4"	1"	1 1/4"	1 1/2"	2"	2 1/2"	3"	4"
3110 MPE	Pilot Diaphragm Assy	2	14,282	14,282	14,282	14,282	14,282	14,282	14,282	14,282	14,282
	Pilot MP-10 Seat Assy	3	6,358	6,358	6,358	6,358	6,358	6,358	6,358	6,358	6,358
	Pilot Gasket	16	10,927	10,927	10,927	10,927	10,927	10,927	10,927	10,927	10,927
	Stem	7	6,428	6,428	6,430	6,432	6,432	6,433	12,563	11,970	11,122
	Diaphragm Assy	11	15,181	15,181	14,315	14,315	14,315	15,182	8,773	8,773	15,180
	Gasket	14	6,434	6,434	6,436	6,438	6,438	6,439	11,031	12,574	11,038
	Sensing Pipe	12	17,122	17,122	17,123	17,124	17,124	11,670	17,125	17,126	17,127
	Seat Assy	8	6,422	6,423	6,424	6,425	6,426	6,427	12,432	11,874	11,123
220V Solenoid Valve	-	6,484	6,484	6,484	6,484	6,484	6,484	6,484	6,484	6,484	

REGULATING

### INSTALLATION INSTRUCTIONS

This valve should be installed in a horizontal pipeline with the direction of flow as indicated by the arrow on the valve body.

### SAFETY, INSTALLATION AND MAINTENANCE

For safety, installation and maintenance information see instructions supplied with the product (MI-0810-15).