

# Pressure Reducing 3010 MBP

## Pilot Operated Back Pressure Regulating Valve

SF International reserves the right to change the designs and/or materials of its products without notice, ©2013 SF International



3010-MBP is a pilot operated valve suitable for maintaining the upstream pressure in a piping system. It ensures that the set maximum pressure in the steam space or upstream piping will not be exceeded. The reverse-acting pressure pilot opens the main valve when sensed upstream pressure increases. These regulators are commonly used to supply flash steam to low pressure mains. It can be supplied with screwed connections BSPT (BS 21) or NPT (ANSI-B1.20.1). Flanges according to ANSI-B16.5 and ANSI-B16.1 class. Contact factory for other connection options.



### FEATURES

Model	3010 MBP	
Sizes	1/2" - 2"	2 1/2" - 4"
Connections	Screwed	Flanged
Application	Steam, Water, Gases	
Body Material	GGG 40.3 Ductile Iron 216 WCB Carbon Steel	
Option	Reduced Port Trim	
PMO Max. Oper. Pressure	Ductile Iron	250 psig
TMO Max. Oper. Temperature	Ductile Iron	450°F
PMO Max. Oper. Pressure	Carbon Steel	293 psig
TMO Max. Oper. Temperature	Carbon Steel	600°F

### DOWNSTREAM PRESSURE RANGES

Type A (Yellow): 3 to 28 psig

Type B (Blue): 14 to 100 psig

Type C (Gray): 77 to 200 psig

### HOW TO ORDER

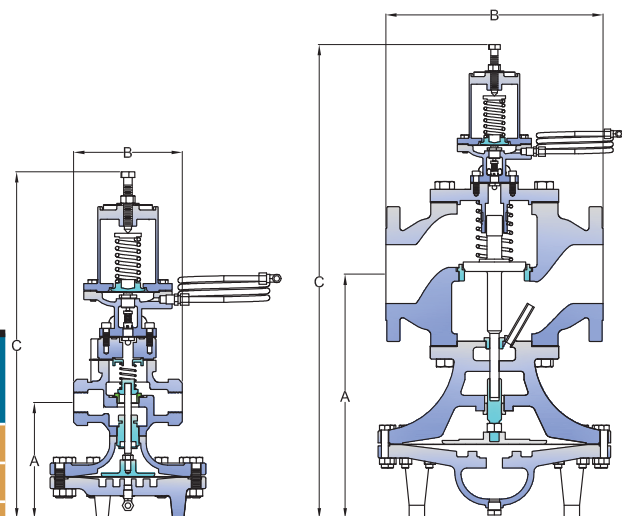
Specify:

- Model
- Sizes and type of connection

**Example:** 1 SF International 3010 MBP Valve with 1 1/2" body and BSPT connections and Type B pilot.

### DIMENSIONS & WEIGHT (INCHES & POUNDS)

DN	A	B Screw	ANSI B16.1		ANSI B16.5		C	Weight
			125#	250#	150#	300#		
1/2"	6.30	5.51	-	-	-	-	19.49	33.73
3/4"	6.30	5.51	-	-	-	-	19.49	33.73
1"	7.28	5.94	-	-	-	-	19.69	41.89
1 1/4"	7.28	7.28	-	-	-	-	20.47	46.30
1 1/2"	7.28	7.28	-	-	-	-	20.47	46.30
2"	8.07	8.50	-	-	-	-	22.83	70.55
2 1/2"	14.25	-	10.79	11.10	10.79	11.10	28.74	157.63
3"	14.65	-	11.22	11.22	11.22	11.22	28.74	189.60
4"	16.34	-	14.53	14.53	14.57	14.57	31.89	260.15



REGULATING



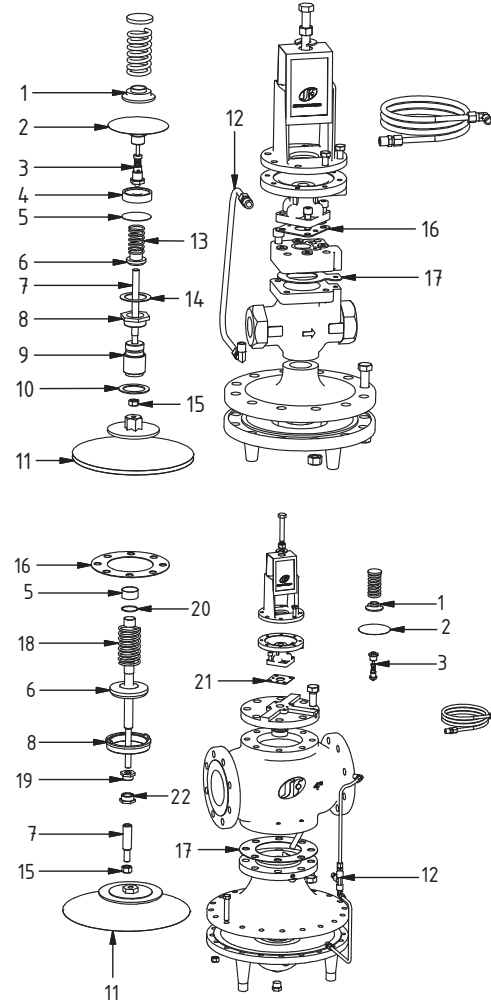
# Pressure Reducing

# 3010 MBP

## Pilot Operated Back Pressure Regulating Valve

### REPAIRS AND MATERIALS

Pos.	Description	Material
1	Pilot Adjustment Spring Guide	AISI 420 SS
2	Pilot Diaphragm	AISI 301 SS
3	Pilot Seat	AISI 420 SS
4	Main Valve Spring Guide	AISI 420 SS
5	Screen	AISI 420 SS
6	Seat Head	AISI 420 SS
7	Stem	AISI 304 SS
8	Seat	AISI 420 SS
9	Coupling	AISI 420 SS
10	Coupling Gasket	Non Asbestos
11	Diaphragm	AISI 301 SS
12	Sensing Pipe	AISI 420 SS
13	Main Valve Spring	Spring Steel
14	Seat Gasket	Non Asbestos
15	Stem Lock-nut	AISI 304 SS
16	Cover Gasket	Non Asbestos
17	Body Gasket	Non Asbestos
18	Pilot Adjustment Spring	AISI 420 SS
19	Stem Guide	AISI 304 SS
20	Screen Ring	AISI 420 SS
21	Pilot Gasket	Non Asbestos
22	Lower Stem Guide	AISI 420 SS



### HOW TO ORDER REPAIRS (CODE)

Model	Description	Pos.	1/2"	3/4"	1"	1 1/4"	1 1/2"	2"	2 1/2"	3"	4"
3010 MBP	Pilot Diaphragm Assy	2	14,282	14,282	14,282	14,282	14,282	14,282	14,282	14,282	14,282
	Pilot MP-10 Seat Assy	3	6,358	6,358	6,358	6,358	6,358	6,358	6,358	6,358	6,358
	Pilot Gasket	16	10,927	10,927	10,927	10,927	10,927	10,927	10,927	10,927	10,927
	Stem	7	6,428	6,428	6,430	6,432	6,432	6,433	12,563	11,970	11,122
	Diaphragm Assy	11	15,181	15,181	14,315	14,315	14,315	15,182	8,773	8,773	15,180
	Gasket	14	6,434	6,434	6,436	6,438	6,438	6,439	11,031	12,574	11,038
	Spring Assy	7	6,454	6,454	6,454	6,456	6,456	6,457	11,345	11,345	11,115
	Sensing Pipe Assy	12	6,458	6,458	6,460	6,462	6,462	6,463	11,366	12,611	9,698
	Seat Assy	8	6,422	6,423	6,424	6,425	6,426	6,427	12,432	11,874	11,123

REGULATING

### INSTALLATION INSTRUCTIONS

This valve should be installed in a horizontal pipeline with the direction of flow as indicated by the arrow on the valve body.

### SAFETY, INSTALLATION AND MAINTENANCE

For safety, installation and maintenance information see instructions supplied with the product (MI-0810-15).