

# Steam Traps

## IBD

### Inverted Bucket Steam Trap

SF International reserves the right to change the designs and/or materials of its products without notice, ©2013 SF International



IBD is an Inverted Bucket Steam Trap. It operates based on the principle of the difference of density between steam and condensate. This keeps the steam space free of condensate to provide maximum system efficiency. This durable trap is designed to withstand corrosion, dirt and water hammer. A correct installation will give trouble free operation and ensure that the trap performs efficiently for many years. It can be supplied with screwed connections BSPT (BS 21) or NPT (ANSI-B1.20.1), Socket Weld end (SW) ANSI B 16.11 and Butt Weld end (BW) ANSI B16.9 - SCH. 160. Flanges according to ANSI-B16.5 class. Contact factory for other connection options.

#### FEATURES

Product Family	IBD	
Sizes	1/2", 3/4" and 1"	
Connections	Screwed, Flanged	
Body Material	Ductile Iron, Carbon Steel or Stainless Steel	
Options	SLR - Steam Lock Release	
PMO Max. Oper. Pressure	(IBD 110)	228 psig
PMO Max. Oper. Pressure	(IBD 130/131)	427 psig
TMO Max. Oper Temperature	482 °F	

#### HOW TO ORDER

Specify:

- Model
- Sizes and type of connection

Example: 1 SF International Inverted Bucket Trap model IBD-130 with 1/2" body and BSP connections.

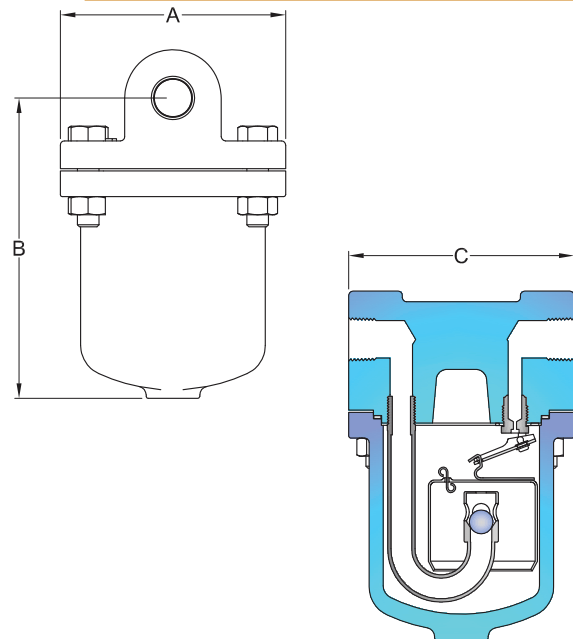
#### DIMENSIONS & WEIGHT (INCHES & POUNDS)

DN	A	B	C	Weight
1/2"	4.33	5.11	3.94	13.22
3/4"	4.33	5.11	3.94	13.22
1"	4.33	5.11	3.94	13.22



#### AVAILABLE MODELS

- IBD - 110 - GGG 40.3 Ductile Iron
- IBD - 130 - ASTM A 216 WCB Carbon Steel
- IBD - 131 - ASTM A 304 Stainless Steel



#### CAPACITY

Model	Sizes	DIFFERENTIAL PRESSURE - ΔP (psig) x Q (lb/h)														
		11	14	28	43	57	71	85	114	142	171	213	242	284	356	427
IBD-110 12R	1/2" - 3/4"	150	176	265	298	375	408	441	496	551	606					
IBD-130 12R	1"	276	276	485	573	639	705	794	882	970	1,080					
IBD-110 17,6R	1/2" - 3/4"		143	198	243	298	320	331	375	386	441	474	507			
	1"		172	238	291	357	384	397	450	463	529	569	608			
IBD-130 30R	1/2" - 3/4"			143	165	187	198	209	231	254	276	298	309	320	331	342
	1"			172	198	225	238	251	278	304	331	357	370	384	397	410
IBS-131 12R	1/2" - 3/4"	150	176	265	298	375	408	441	496	551	606					
IBS-131 30R	1/2" - 3/4"			143	165	187	198	209	231	254	276	298	302	309	320	331



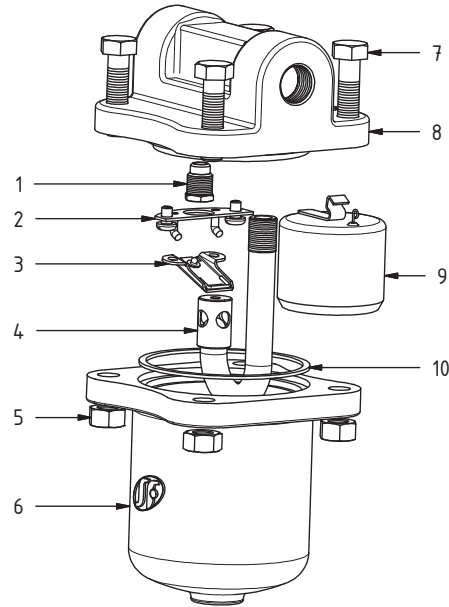
# Steam Traps

# IBD

## Inverted Bucket Steam Trap

### COMPONENTS AND MATERIALS

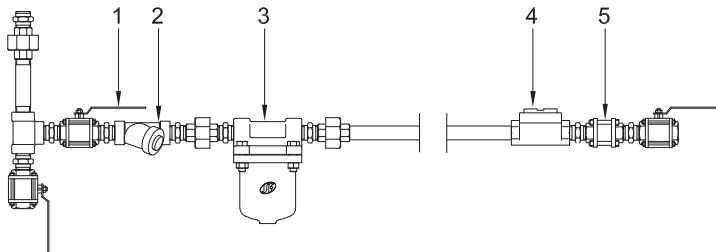
Pos.	Description	Material
1	Ferrule	AISI 304 SS
2	Lever Assy	AISI 304 SS
3	Seat Assy	AISI 304 SS
4	Internal Tube	AISI 304 SS
5	Nuts	Carbon Steel 8.8
6	Body (IBD 110)	GGG 40.3 Ductile Iron
	Body (IBD 130)	ASTM A 216 WCB CS
	Body (IBD 131)	ASTM A 304 SS
7	Bolts	Carbon Steel 8.8
8	Cover	Follows Body Material
9	Bucket Assy	AISI 304 SS
10	Body Gasket	Graflex



### HOW TO ORDER SPARE PARTS

Model	Description	Pos.	1/2"	3/4"	1"
IBD 12R	Seat Assy	2, 3	18,382	18,382	18,382
	Bucket Assy	9	8,793	8,793	8,793
	Ferrule Assy	1	676	676	676
	Gasket	10	1,527	1,527	1,527
IBD 17.6R	Seat Assy	2, 3	18,382	18,382	18,382
	Bucket Assy	9	8,793	8,793	8,793
	Ferrule Assy	1	676	676	676
	Gasket	10	1,527	1,527	1,527
IBD 30R	Seat Assy	2, 3	18,383	18,383	18,383
	Bucket Assy	9	8,793	8,793	8,793
	Ferrule Assy	1	676	676	676
	Gasket	10	1,527	1,527	1,527

### TYPICAL INSTALLATION



Title:	
1	Stop Valve
2	Y Strainer
3	Steam Trap
4	Sight Glass
5	Check Valve

### PRODUCT DISPOSAL

This product is totally recyclable. No ecological hazard is anticipated with the disposal of this product.

### SAFETY, INSTALLATION AND MAINTENANCE

For safety, installation and maintenance information see instructions supplied with the product (MI-0102-48).